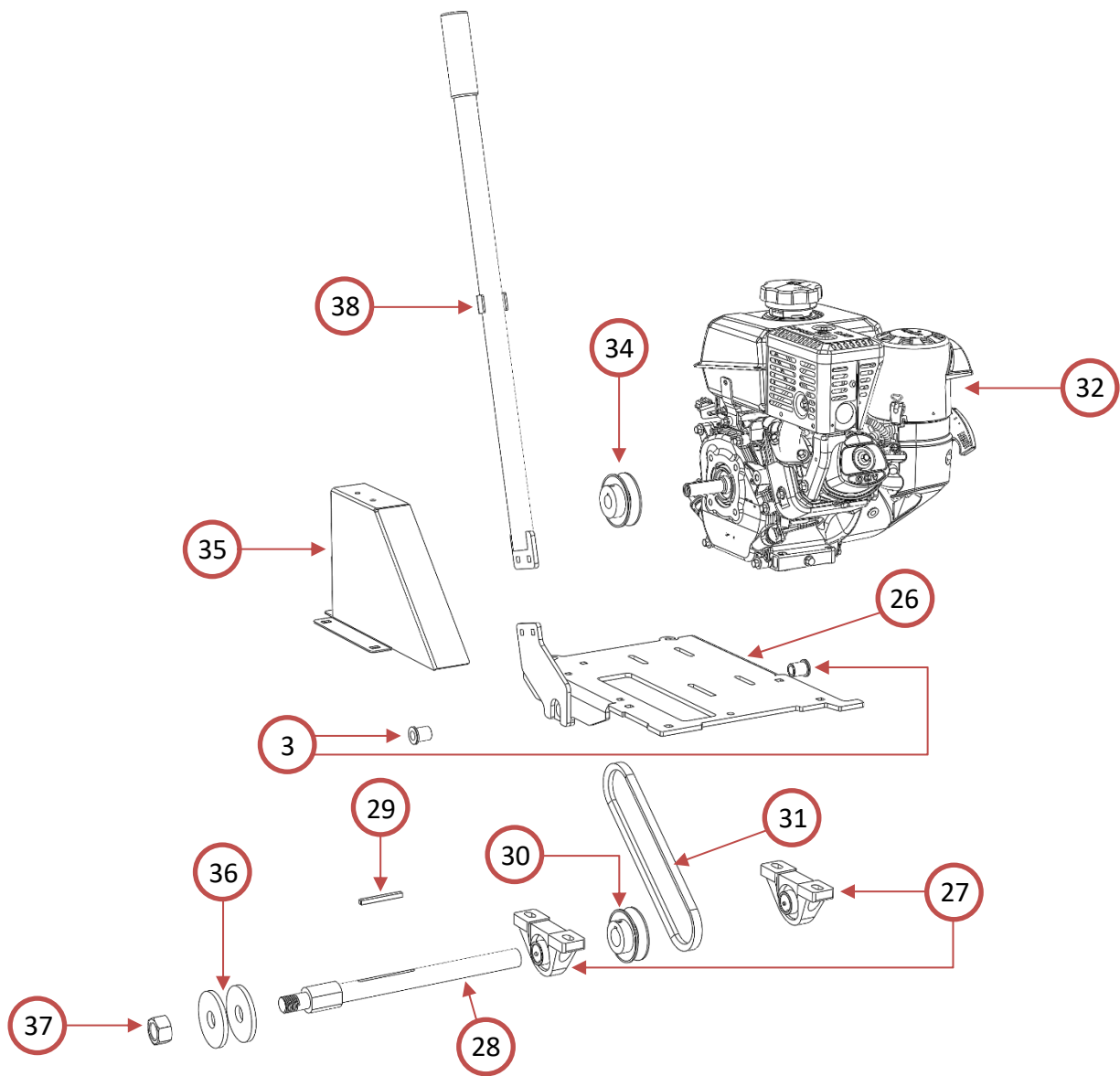
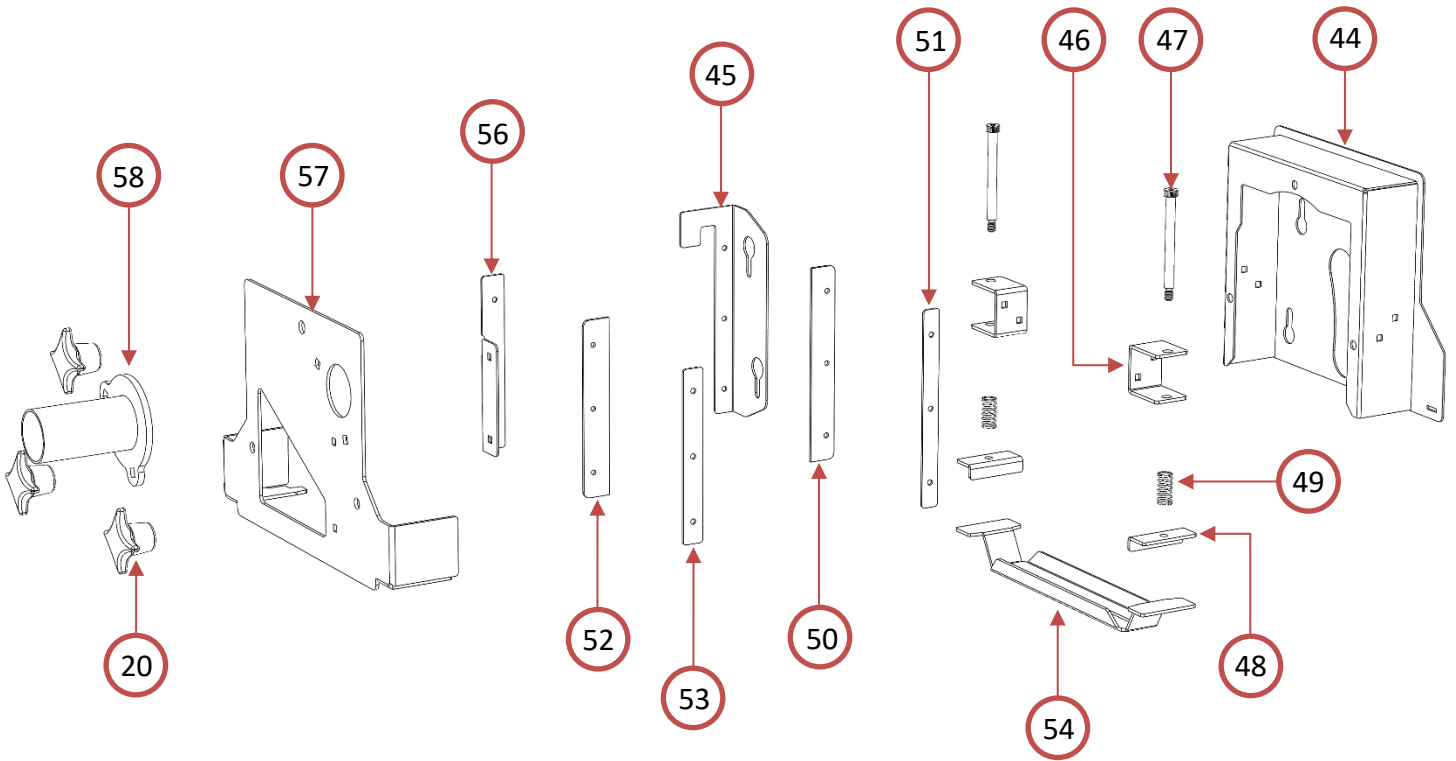


Part #	Description
8 – 1 R2	Saw Base
8 – 2 R2	Handle Mount
8 – 3	Powerhead Plate Bearing
8 – 4	Wheel
8 – 5 R2	Electric Saw Base (Not Pictured)
8 – 6 R2	Electric Handle Mount (Not Pictured)
8 – 7 R2	Electric Saw Handle (Not Pictured)
8 – 8	Front Wheel Mount
8 – 9	Pointer Arm
8 – 10	Pointer
8 – 11 R2	Depth Stop
8 – 12	Wrench Holder
8 – 13	Nut Wrench

Part #	Description
8 – 14	Shaft Wrench
8 – 15	Handle
8 – 16	Grip
8 – 17 R2	Depth Stop Backer
8 – 18 R2	Lift/Lower Lock
8 – 19	Position Lock Nut
8 – 20	4-arm Knob
8 – 21	Tension Spring
8 – 22 R2	Optional: Upper Pointer Linkage
8 – 23	Optional: Lower Pointer Linkage
8 – 24	Optional: Linkage Block
8 – 25	Complete Linkage assembly

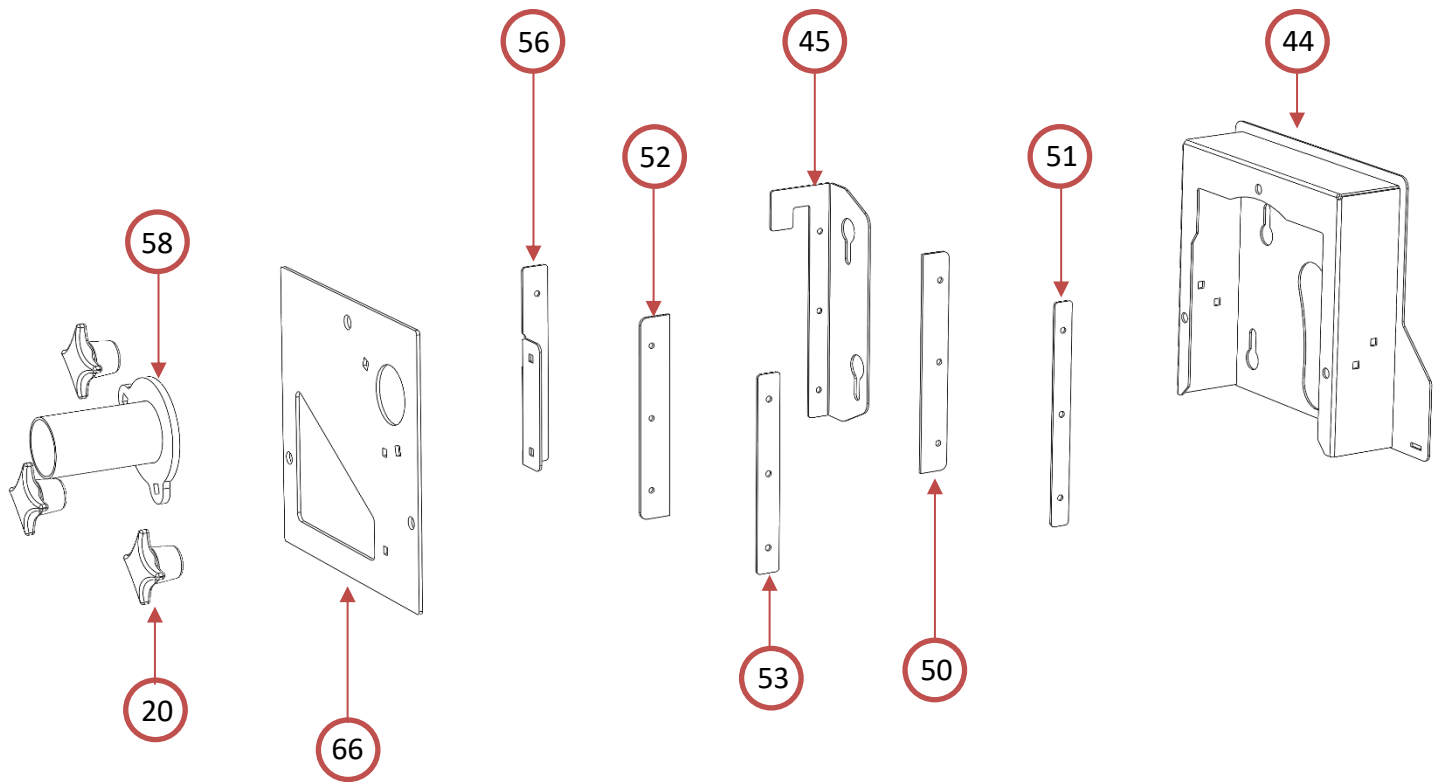


Part #	Description
8 – 26 R3	Powerhead Mounting Plate
8 – 27	Blade Shaft Bearing
8 – 28	Blade Shaft
8 – 29	Blade Shaft Key
8 – 30 R2	Blade Shaft Pulley
8 – 31	Drive Belt
8 – 32	Motor
8 – 33	Motor Shaft Key (Not Pictured)
8 – 34	Motor Pulley
8 – 35	Belt Cover
8 – 36	Blade Clamp
8 – 37	Blade Shaft Nut
8 – 38 R2	Lift/Lower Handle
8 – 40	Shaft Assembly (Part #: 27, 28, 29, 30, 36 & 37)
8 – 41	Blade Clamp Shim (Not Pictured)



60

Part #	Description
8 – 44	Dust Box Main
8 – 45 R2	Internal Baffle Mount
8 – 46 R3	Tensioner Slide Mount
8 – 47 R2	Tensioner Slide
8 – 48 R2	Skid Plate Tensioner
8 – 49 R2	Spring
8 – 50 R2	Internal Rubber Baffle
8 – 51 R2	Internal Baffle Clamp
8 – 52 R2	Door Rubber Baffle
8 – 53 R2	Door Baffle Clamp
8 – 54 R2	Skid Plate - 0.090 Opening
8 – 55 R2	Skid Plate - 0.25 opening (Not Pictured)
8 – 56 R2	Dust Box Door Baffle
8 – 57 R2	8EE Dust Box Door
8 – 58 R2	Dust port
8 – 59 R2	Dust port Block Off (Not Pictured)
8 – 60	Skid Plate Slide Assembly (Part Numbers: 46-49)
8 – 61	Early Entry Dust Box Assembly w/ Skid Plate



Part #	Description
8 – 66 R2	GCT-8 Series II Dust Box Door
8 – 67 R2	GCT-8 Series II Dust Box Assembly