

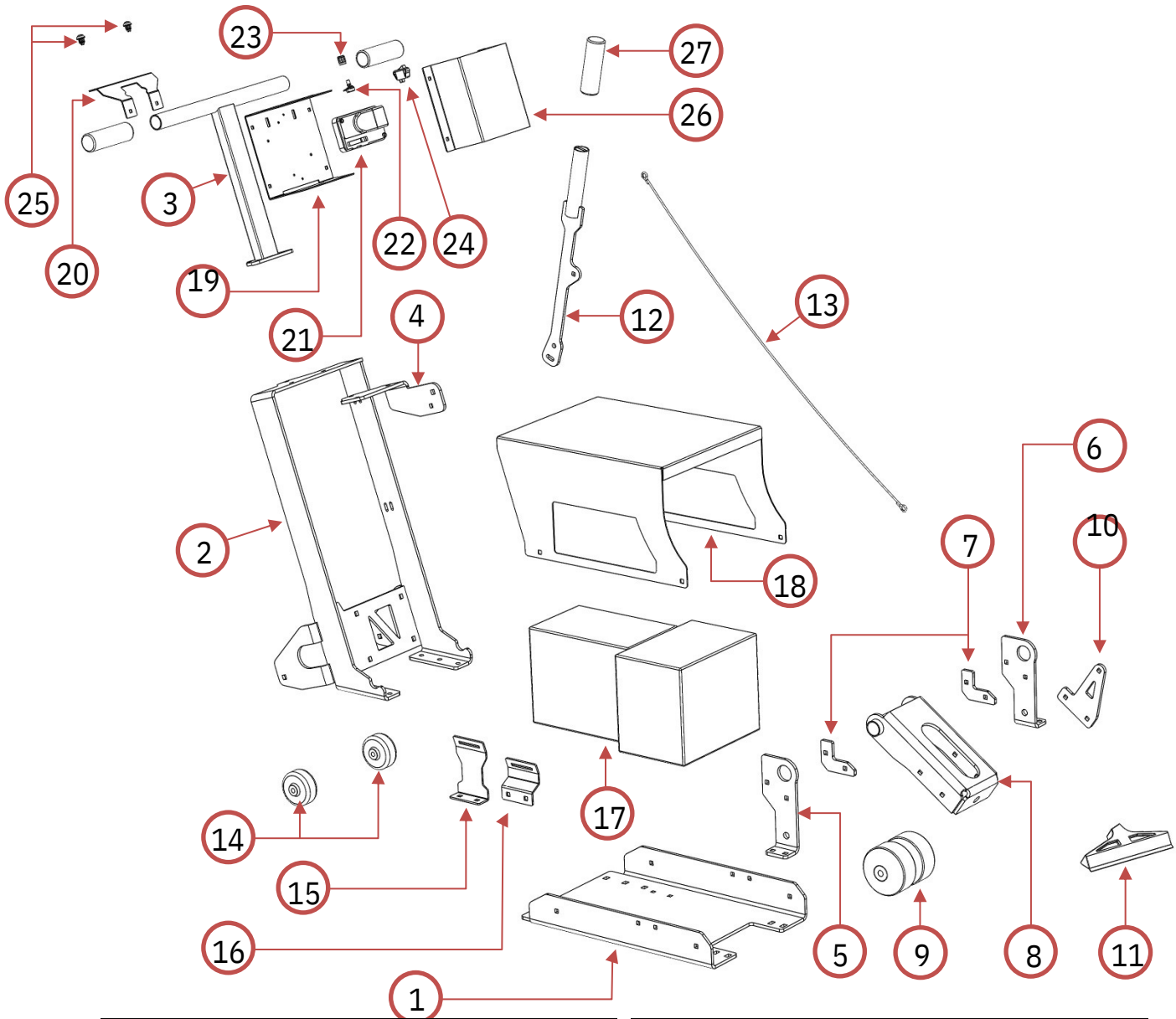
GorillaConcreteTools

ST-80 Self-Propelled Joint Shaver

Product Manual

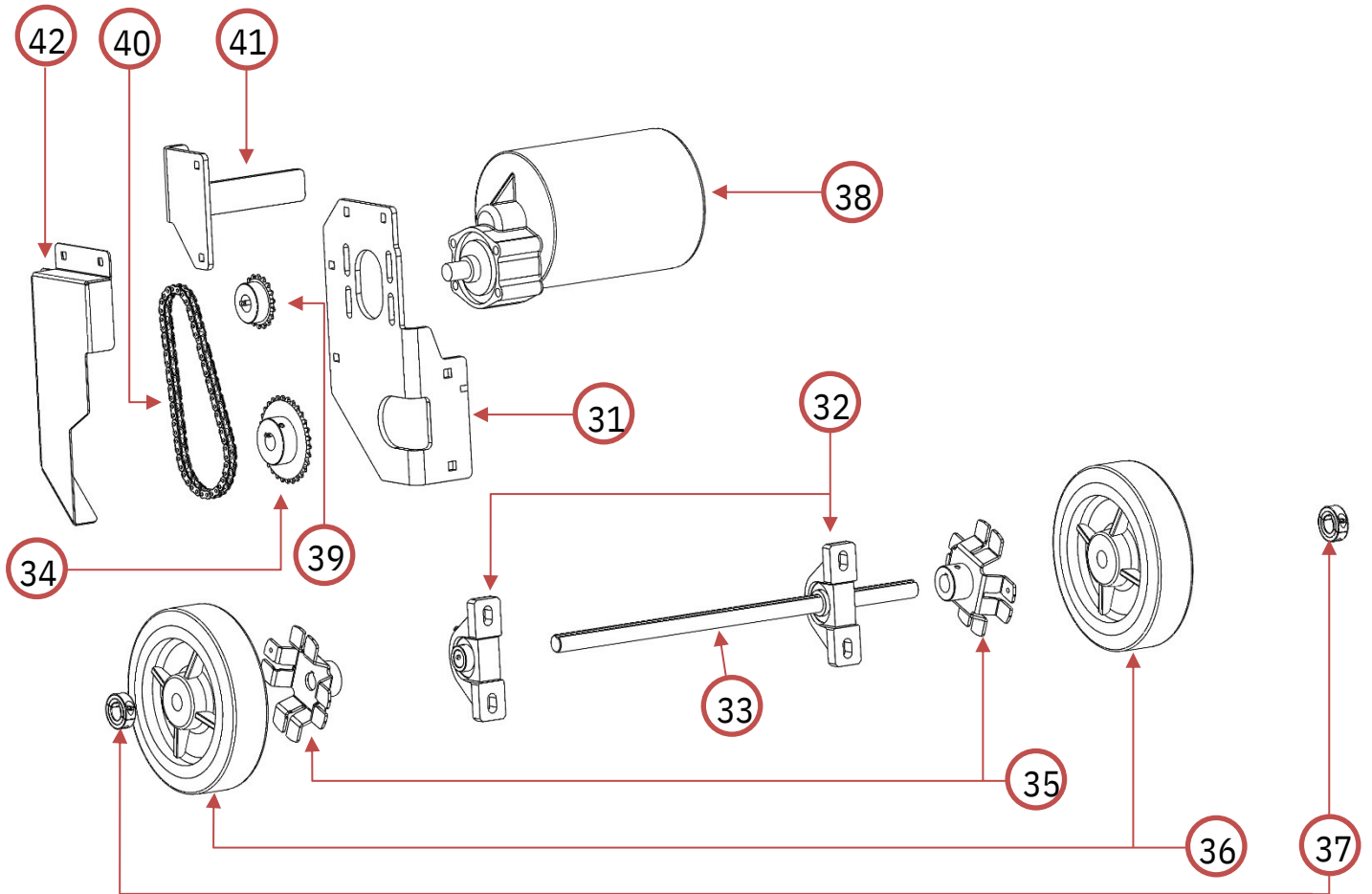


Parts Diagram



Part #	Description
ST - 1	Saw Base
ST - 2	Handle Upright/Drive Mount
ST - 3	Handle
ST - 4	Blade Lifting Arm Mount
ST - 5	Right Front Wheel Mount
ST - 6	Left Front Wheel Mount
ST - 7	Blade Arm Hard Stop (Qty:2)
ST - 8	Shaver Blade Mounting Arm
ST - 9	Front Wheels (Sold Individually)
ST - 10	Blade Lifting Cable Mount
ST - 11	Angled Blade Holder
ST - 12	Blade Lifting Arm
ST - 13	Blade Lifting Cable
ST - 14	Dolley wheels (Sold Individually)
ST - 15	Rear Battery Strap Mount

Part #	Description
ST - 16	Front Battery Strap Mount
ST - 17	Drive Battery
ST - 18	Battery Cover
ST - 19	Controller Mount
ST - 20	Thumb Switch Mount
ST - 21	Drive Controller
ST - 22	Potentiometer
ST - 23	Potentiometer Knob
ST - 24	Rocker Switch
ST - 25	Thumb Switch (Sold Individually)
ST - 26	Controller Cover
ST - 27	Handle Grip
ST - 28	Battery Strap (Not Pictured)
ST - 29	Shaver Blades (10 Pack)



Part #	Description
ST - 31	Drive Motor Mount
ST - 32	Shaft Bearings (Sold Individually)
ST - 33	Wheel Drive Shaft
ST - 34	Driven Sprocket
ST - 35	Wheel Drive Brackets (Sold Individually)
ST - 36	Rear Wheels (Sold Individually)
ST - 37	Shaft Collars (Sold Individually)
ST - 38	Drive Motor
ST - 39	Drive Sprocket
ST - 40	Drive Chain
ST - 41	Rear Foot Peg
ST - 42	Chain Guard