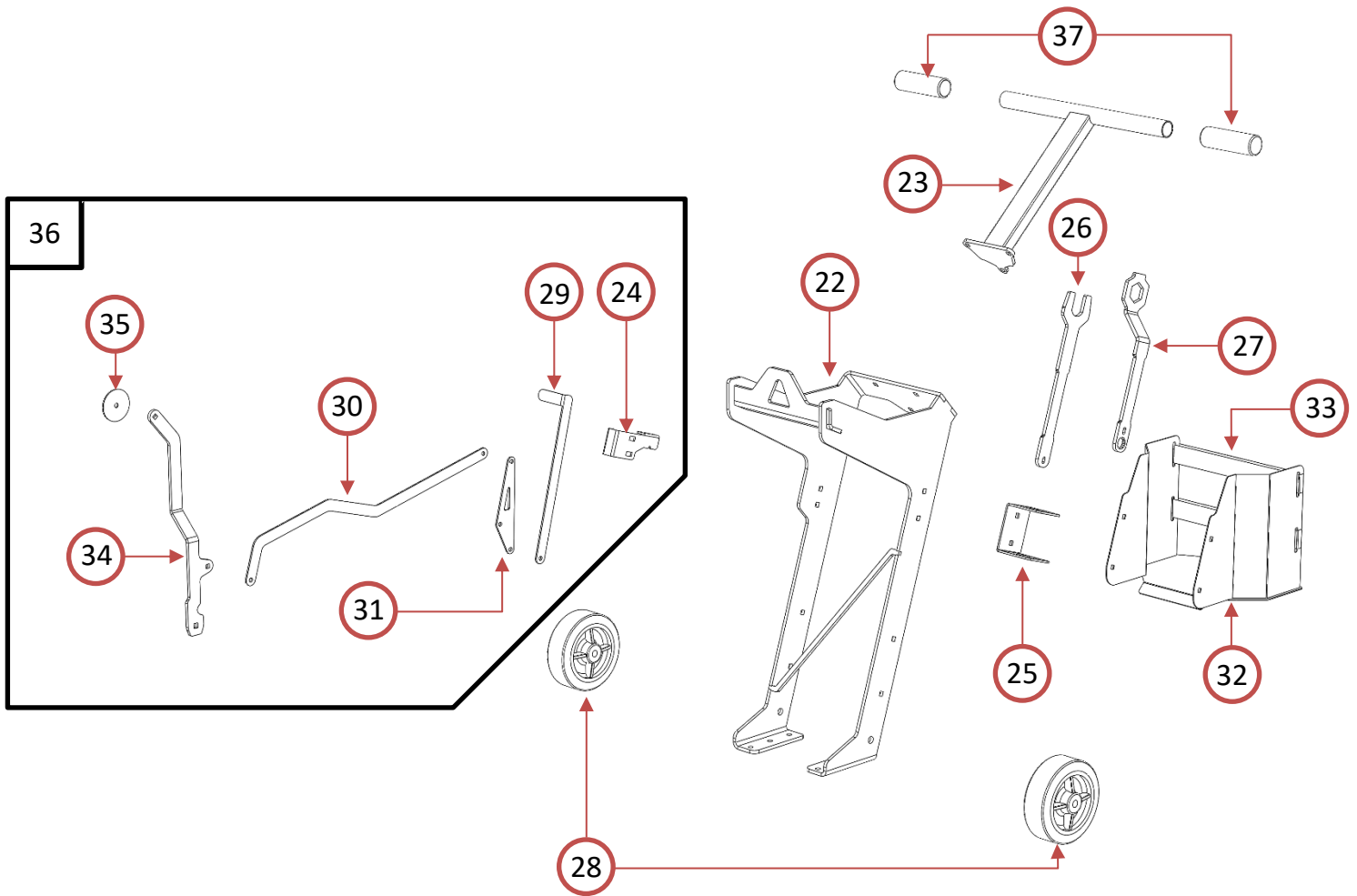
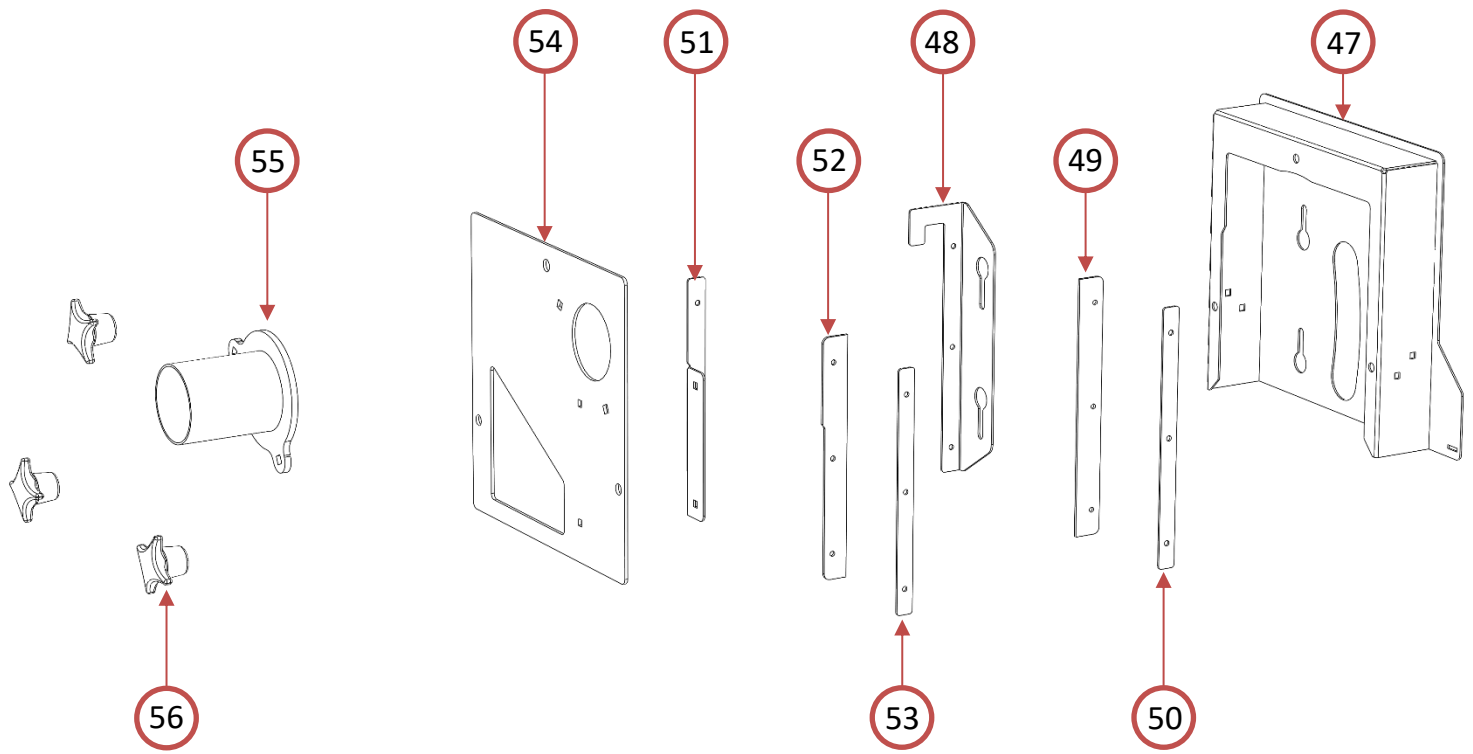


Part #	Description
X - 1 R3	Saw Base
X - 2 R3	Motor Mounting Plate
X - 3	Motor Plate Bushing
X - 4	Shaft Bearing
X - 5	Blade Shaft
X - 6	Blade Shaft Key
X - 7	Blade Shaft Spacer
X - 8	Taper Lock Bushing
X - 9	Pulley
X - 10	Engine
X - 11	Engine Shaft Key

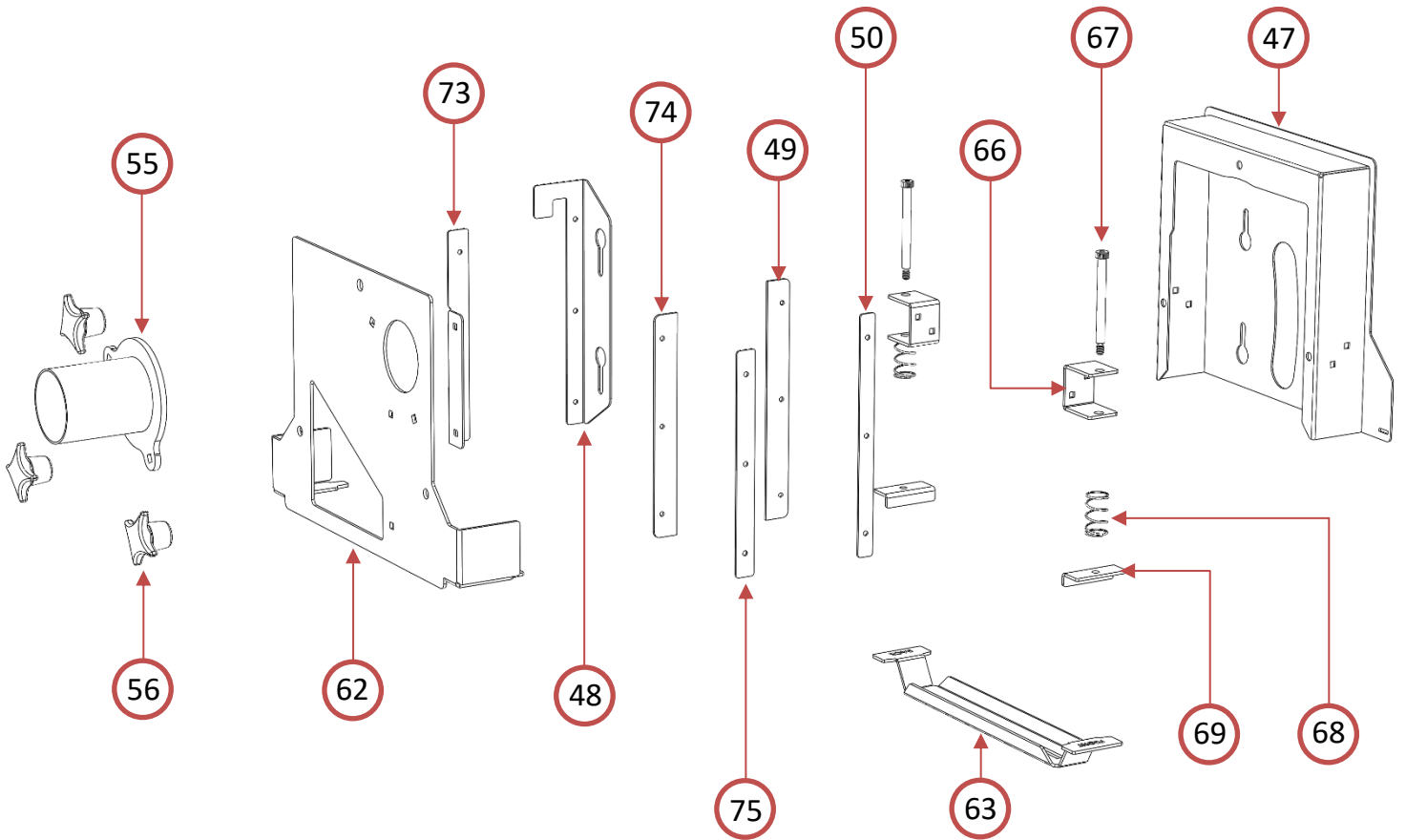
Part #	Description
X - 12 R2	Drive Belt
X - 13 R2	Belt Cover
X - 14 R2	Front Wheel Mount
X - 15	Front Wheel
X - 16	Blade Clamp
X - 17	Blade Shaft Nut
X - 18 R2	Lift/Lower Handle
X - 19 R2	Depth Stop
X - 20 R2	Depth Stop Backer



Part #	Description
X – 22 R3	Handle Mount
X – 23 R2	Upper Handle
X – 24 R2	Lift/Lower Lock
X – 25	Wrench Holder
X – 26	Shaft Wrench
X – 27	Nut Wrench
X – 28 R2	Rear Wheels
X – 29 R2	Upper Pointer Linkage
X – 30 R2	Lower Pointer Linkage
X – 31 R2	Linkage Block
X – 32	Propane Tank Holder
X – 33	Propane Tank Strap
X – 34 R2	Pointer Arm
X – 35 R2	Pointer
X – 36	Remote Pointer Lift/Lower Linkage assembly
X – 37	Handle Grip



Part #	Description
X – 47 R2	10" Dust Box Main
X – 48 R2	Internal Baffle Mount
X – 49 R2	Internal Rubber Baffle
X – 50 R2	Internal Baffle Clamp
X – 51 R2	Optional: Wide Cut Door Baffle Mount
X – 52 R2	Optional: Wide Cut Door Rubber Baffle
X – 53 R2	Optional: Wide Cut Door Baffle Clamp
X – 54 R2	Standard Dust Box Door
X – 55 R2	2" Dust Port
X – 56 R2	4-arm knob
X – 57 R2	Complete Dust Box Assembly
X – 58 R2	Optional: 3" Dust Port



Part #	Description
X – 62 R2	Early Entry Dust Box Door
X – 63 R2	Early Entry Skid Plate
X – 64 R2	Dust Port Block-off Plate (Not Pictured)
X – 66 R2	Spring Slide Mount
X – 67 R2	Skid Plate Slide
X – 68 R2	Spring
X – 69 R2	Skid Plate Tensioner
X – 70 R2	Skid Plate Tensioner Assembly (Part Numbers: 66-69)
X – 71 R2	Complete Early Entry Dust Box assembly
X – 72 R2	025 opening Skid Plate (Not Pictured)
X – 73 R2	Door Baffle Mount
X – 74 R2	Door Rubber Baffle
X – 75 R2	Door Baffle Clamp